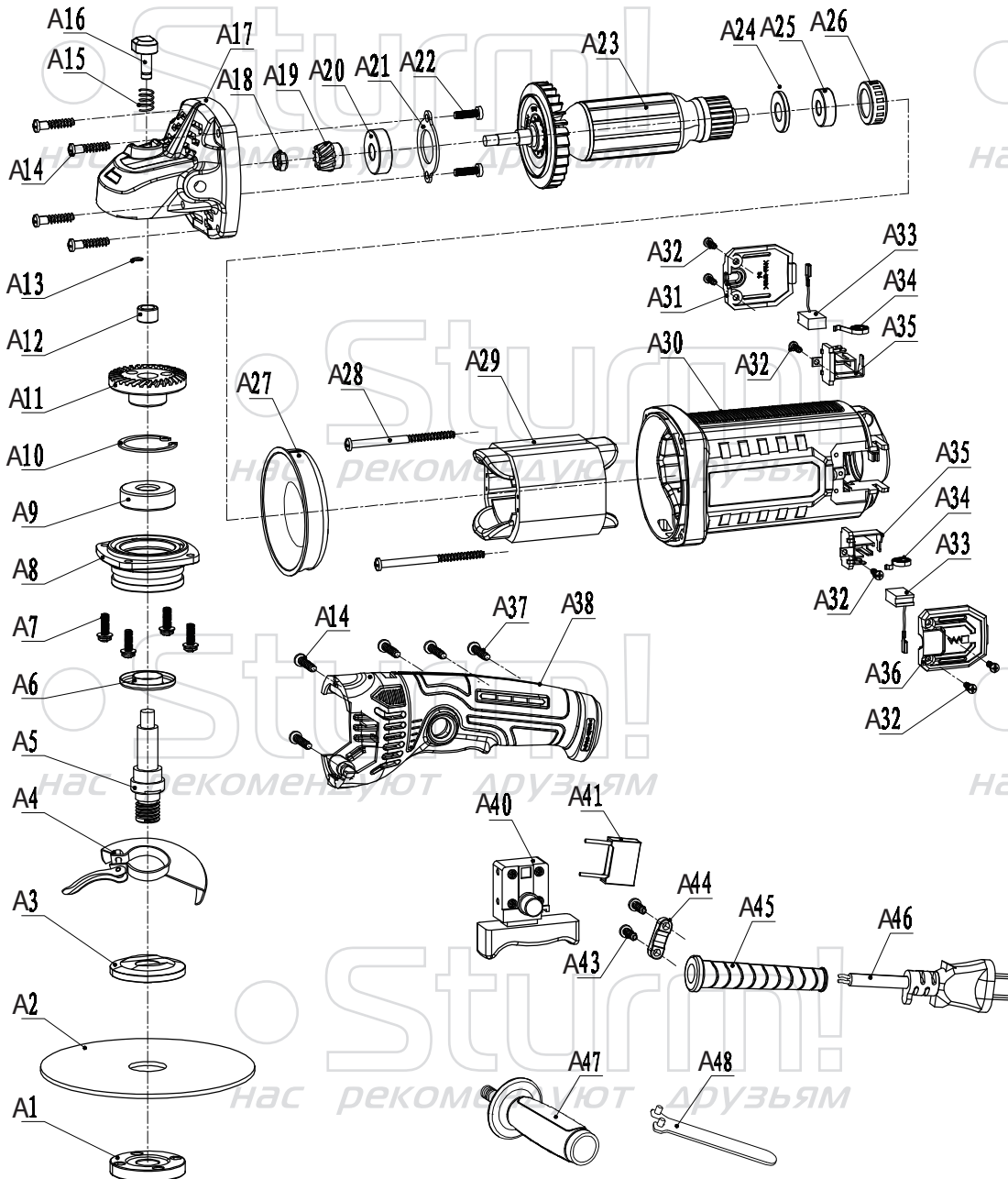


Sturm!
нас рекомендуют друзья

AG9015

NO.	DESCRIPTION	NO.	DESCRIPTION
A1	DOWN FLANGE	A25	BEARING 608Z
A2	GRINDING WHEEL	A26	BEARING BUSH
A3	UPPER FLANGE	A27	WIND GUIDE
A4	GUARD	A28	SCREW ST3.9X65
A5	SPINDLE	A29	STATOR
A6	ANTI-DUST COVER	A30	HOUSING
A7	SCREW M4X14	A31	RIGHT BRUSH COVER
A8	FRONT COVER	A32	SCREW ST2.9X10
A9	BEARING 6201Z	A33	CARBON BRUSH
A10	CIRCLIP 32	A34	COIL SPRING
A11	GEAR	A35	BRUSH HOLDER
A12	NEEDLE BEARING HK0810	A36	LEFT BRUSH COVER
A13	CIRCLIP 6.2	A37	SCREW ST4.2X16
A14	SCREW ST4.2X22	A38	REAR HANDLE
A15	SPRING	A40	SWITCH
A16	LOCKING PIN	A41	CAPACITOR
A17	GEAR BOX	A43	SCREW ST4.2X14
A18	NUT M6	A44	CABLE CLAMP
A19	PINION	A45	CABLE SLEEVE
A20	BEARING 629Z	A46	CABLE
A21	PRESS BOARD	A47	SIDE HANDLE
A22	SCREW M4X12	A48	SPANNER
A23	ROTOR		
A24	ANTI-DUST WASHER		

AG9015-EX-RUS220803 VER2.1



Sturm!
нас рекомендуют друзья